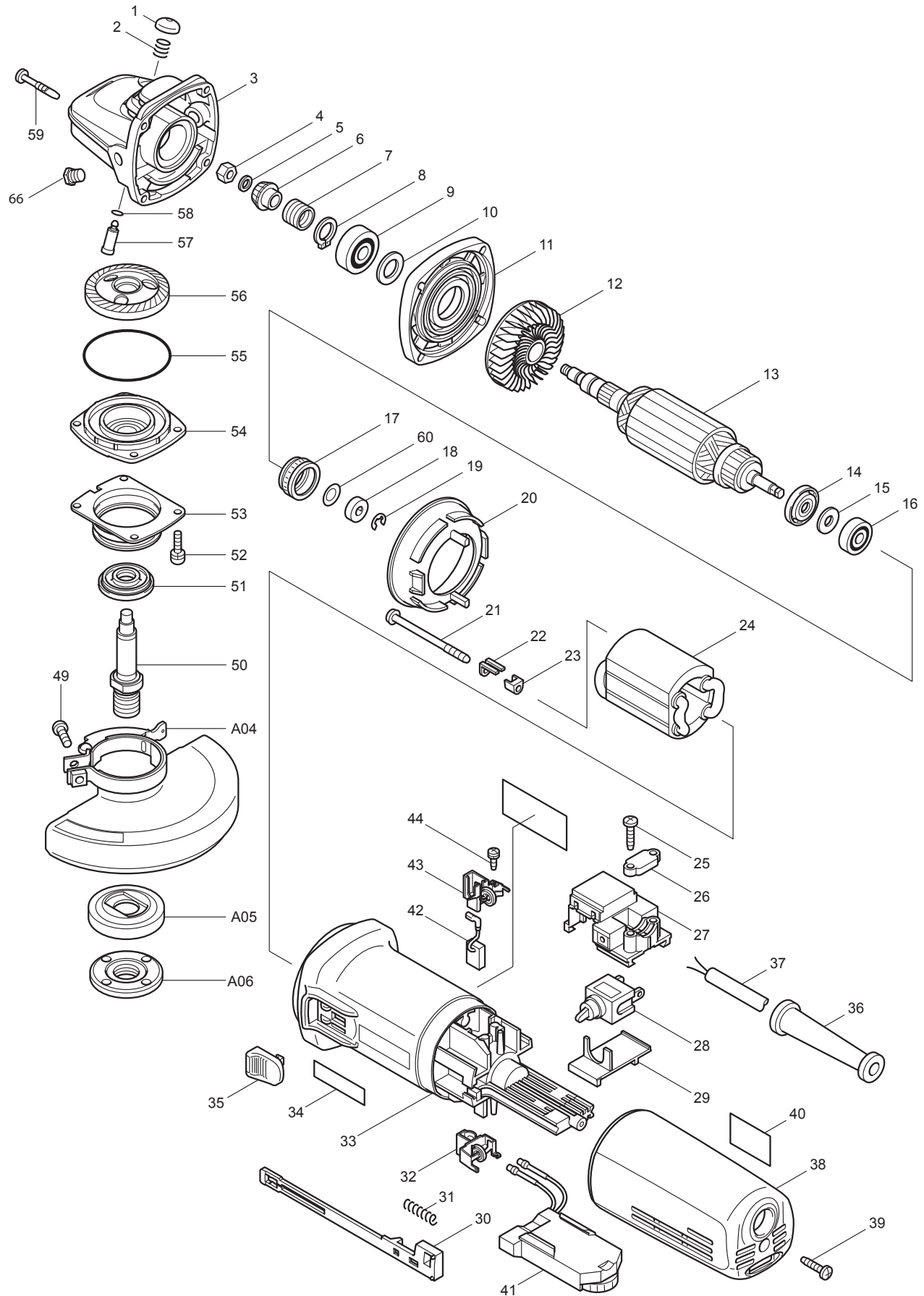




02 - 2013

9564CV

4-1/2" ANGLE GRINDER (5/8" - 11UNC)



Item No	Type	Ref	Part No	Description	Qty	Unit
1			418067-8	* PIN CAP	1	PC.
2			233072-2	COMPRESSION SPRING 8	1	PC.
3			153488-4	* GEAR HOUSING COMPLETE	1	PC.
4			931303-0	HEX. NUT M6	1	PC.
5			253077-6	FLAT WASHER 6	1	PC.
6			227513-8	* SPIRAL BEVEL GEAR 11	1	PC.
7			233901-9	LOCK SPRING 12	1	PC.
8			961052-5	RETAINING RING S-12	1	PC.
9			211142-7	BALL BEARING 6001LLB	1	PC.
10			253084-9	FLAT WASHER 12	1	PC.
11			317359-1	GEAR HOUSING COVER	1	PC.
12			240033-5	FAN 57	1	PC.
13	3		515336-9	* ARMATURE ASS'Y 115V	1	PC.
		INC.		Item No. 12,14-16		
	4		518160-9	ARMATURE ASS'Y 115V	1	PC.
		INC.		Item No. 12,14-16		
14			681656-4	INSULATION WASHER	1	PC.
15			253823-7	FLAT WASHER 7	1	PC.
16			210027-4	BALL BEARING 627DDW	1	PC.
17			421738-8	LABYRINTH RUBBER RING 22	1	PC.
18			688117-5	MAGNET SLEEVE	1	PC.
19			259039-2	* SELF LOCK 6	1	PC.
20			413076-2	BAFFLE PLATE	1	PC.
21			266258-3	TAPPING SCREW 4X70	2	PC.
22			344871-8	RETAINER	2	PC.
23			417237-6	INSULATION COVER	2	PC.
24			626501-6	FIELD 115V	1	PC.
25			265995-6	TAPPING SCREW 4X18	2	PC.
26			687063-9	CORD CLAMP	1	PC.
27			632999-7	SWITCH BLOCK	1	PC.
28			651418-4	SWITCH ST115A-40	1	PC.
29			687113-0	COVER	1	PC.
30			417186-7	SWITCH LEVER	1	PC.
31			233071-4	COMPRESSION SPRING 4	1	PC.
32			643760-7	BRUSH HOLDER (OLD# 643762-3 - N/L/A)	1	PC.
33			153775-1	* MOTOR HOUSING COMPLETE	1	PC.
		INC.	810341-4	CAUTION LABEL	1	PC.
34			819080-3	MAKITA LABEL (OLD)	1	PC.
35			417813-6	* SWITCH KNOB	1	PC.
36			682566-8	CORD GUARD 10	1	PC.
37			664265-4	CORD W/PLUG 2P-16-2.5M,SJ	1	PC.
38			158314-2	* REAR COVER COMPLETE	1	PC.
39			265995-6	TAPPING SCREW 4X18	1	PC.
41			631383-3	CONTROLLER	1	PC.
42	3		195396-3	A.C. CARBON BRUSH CB-336 2PC/SET W/ORIGIN	1	SET
	4		196454-8	A.C. CARBON BRUSH CB-340 2PC/SET W/ORIGIN	1	SET
43			643760-7	BRUSH HOLDER (OLD# 643762-3 - N/L/A)	1	PC.
44			266256-7	TAPPING SCREW PT3X10	4	PC.
49			251391-4	PAN HEAD SCREW M5X16	1	PC.
50			324038-4	* SPINDLE	1	PC.
51			415300-9	LABYRINTH RING	1	PC.
52			265490-6	HEX. SOCKET HEAD BOLT M4X16 (OLD# 266260-6)	4	PC.

Item No	Type	Ref	Part No	Description	Qty	Unit
53			344872-6	* WHEEL COVER BASE (OLD)	1	PC.
54			318302-3	* BEARING BOX	1	PC.
55			213673-2	O RING 52	1	PC.
56			227514-6	* SPIRAL BEVEL GEAR 38	1	PC.
57			256459-1	PIN	1	PC.
58			213048-5	O RING 6	1	PC.
59			266257-5	TAPPING SCREW 4X28	4	PC.
60			267756-0	WAVE WASHER 6	1	PC.
63			285841-7	* BEARING RETAINER (Added)	1	PC.
64			211129-9	* BALL BEARING 6201DDW (Added)	1	PC.
65			265083-9	+ FLAT HEAD SCREW M8X11 (F/ HEAD COVER)	1	PC.
66			265083-9	+ FLAT HEAD SCREW M8X11 (F/GEAR HOUSING COM.)	1	PC.
100			654037-5	INSULATED TERMINAL RBV1.25-3.5	2	PC.
101			652037-9	P.H.SCREW M3.5X8	2	PC.
<u>ACCESSORIES</u>						
A01			153489-2	GRIP 36 COMPLETE (OLD# 152490-4 - N/L/A)	1	PC.
A02	1		741423-B	4-1/2" DEPRESSED CENTER WHEEL A24P	1	PC.
	2		D-20781	4-1/2" DEPRESSED CENTER WHEEL A24R	1	PC.
A03			782412-6	LOCK NUT WRENCH 28	1	PC.
A04	1		163418-7	4-1/2" WHEEL COVER	1	PC.
	2		135107-4	4-1/2" TOOLLESS WHEEL COVER ASS'Y	1	PC.
		INC.		Item No. 49		
A05			224399-1	* INNER FLANGE 45	1	PC.
A06			224568-4	* LOCK NUT 5/8-45	1	PC.
A07			417322-5	HEAD COVER	1	PC.
A08			195236-5	DUST COVER SET (115mm & 125mm)	1	PC.
		INC.	165596-9	SET PLATE	1	PC.
		INC.	252096-9	HEX. CAP NUT M4	1	PC.
		INC.	451765-1	SUPPORT COVER	1	PC.
		INC.	451766-9	PLATE	1	PC.
		INC.	451767-7	COVER	1	PC.
		INC.	743332-9	BRUSH A	1	PC.
		INC.	743333-7	BRUSH B	1	PC.